

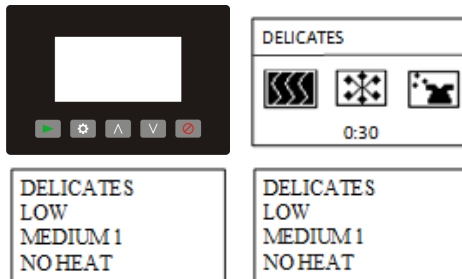
Huebsch On-Premises Drying Cabinet DCN005IN0SEH2EV0S5 / DCN005IN0SEH2EV0W5

No other laundry equipment is built tougher to last longer. And our machines are only the beginning. From our dedicated workforce to our top-rated distribution partners, no one is committed to clean like Huebsch®. If you want durability, innovation and perfectly dried laundry the first time, you need a Huebsch dryer and drying cabinet.



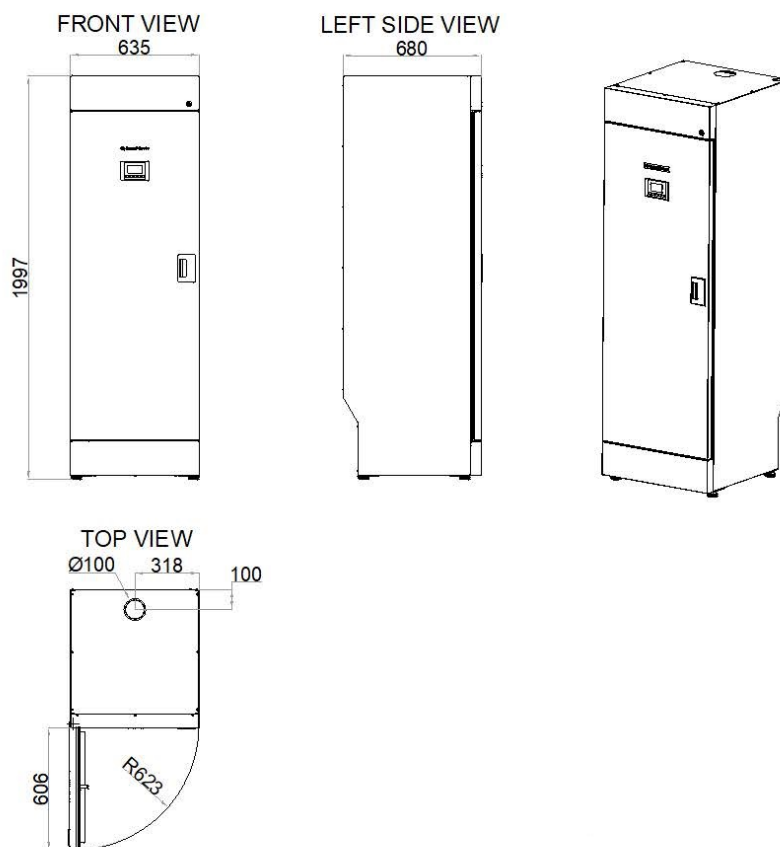
Drying Cabinet features

- Flexible construction allows hanging bars to slide easily forward for easy access to garments or down for more space
- Easy to install; the evacuating channel is connected to the ventilation system and the humid air is transported out of the room
- All electrical components are placed on the top which makes it easy to maintain
- User friendly screen display, with 7 automatic and manual control mode to meet different customer need
- Flip-up hanging system
- Adjustable temperatures: 35-55 °C
- Energy efficient
- Overheat protection
- IP 24 classification
- CE approved



Huebsch Drying Cabinet Specifications

Model	DCN005IN0SEH2EV0S5 / DCN005IN0SEH2EV0W5
Loading capacity (kg)	5
Color	White / Stainless Steel
Control	Dot Matrix Blue Screen
Display Language	Cn. En.
Program	7 (5 Auto + 2 Manual)
Temperature Adjustment Range (°C)	35 - 55
Over Heat Protection	Yes
Agency Approval	CE (LVD + EMC), GB4706.1, GB4706.60
Heating effect (kw)	1.8
Total effect (kW)	1.9
Electrical connection	220-240/50/60Hz/1phase
Fuse	10 A 250V
Heating elements	ZOPPAS 1GIK1FG46
Motor	35 W
Outlet exhaust	DIA = 100mm
Outlet air flow m³/h	198
Dewatering capacity g/min	21.5
Airborne sound level dB(A)	Max. 60
Product Dimension (mm) H*D*W	1997x680x635
Packing Dimension (mm) H*D*W	2125x730x730
Product Weight (kg)	80



* Overall depth includes vacuum breaker to door handle.

** High, Very High, and Ultra High Spin Speeds are available on the Galaxy 400 models only.

*** Circuit breaker and amp draw data shown are for models without electric heat. Consult factory for other configurations. Manufacturer strongly recommends using a circuit breaker instead of fuses. Use 3-pole circuit breakers for 3-phase machines.

**** Agency approvals may vary depending on configuration. Consult factory for details. Steam connection requires 1/2" N.P.P.

For the most accurate information, the installation guide should be used for all design and construction purposes. Due to continuous product improvements, design and specifications subject to change without notice. The quality management system of Alliance Laundry Systems is registered to ISO 9001.