

Huebsch 烘干护理柜 DCN005IN0SEH2EV0S5 / DCN005IN0SEH2EV0W5

Huebsch® 烘干护理柜采用轻柔热风干燥系统，配套Huebsch® 烘干机，全方位呵护您的精美华服。Huebsch® 烘干护理柜功率强大，工作时悄然无声，兼具多重安全特性，多年如一日精心呵护您的衣物。



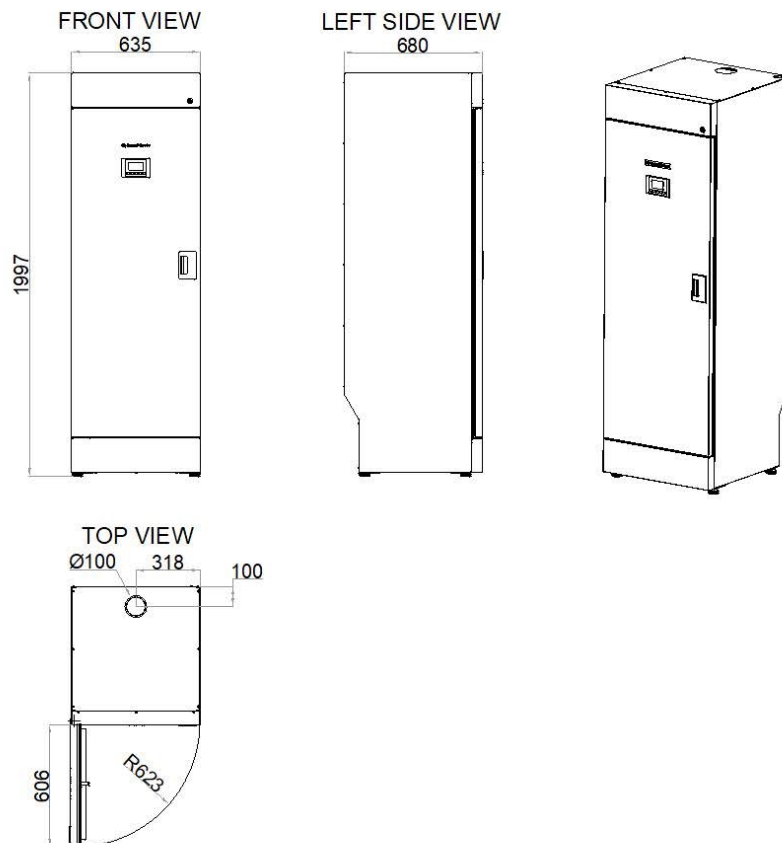
烘干护理柜

- 7个手动或自动程序选择，保证干燥效果
- 395纳米的紫外灯除菌
- 不锈钢材质结实耐用
- 过热保护
- 开门保护
- 温度调整
- 上端进风，减少灰尘带入
- 进风被排风管预热，充分利用能源，提高能效
- 波浪性衣架支撑杆，保证悬挂衣服的间距和最佳通风
- 90°可折叠挂衣架，由磁吸块固定，吸合安静
- 缓冲式可隐藏挂勾，经久耐用
- 配备鞋支架
- 地脚可调
- CE认证，品质保障



Huebsch 烘干护理柜规格

型号	DCN005IN0SEH2EV0S5 / DCN005IN0SEH2EV0W5
容量 (kg)	5
颜色	白色/不锈钢
控制	Dot Matrix Blue Screen
显示语言	Cn. En.
程序	7 (5 Auto + 2 Manual)
温度调节范围 (°C)	35 - 55
过热保护	Yes
认证	CE (LVD + EMC), GB4706.1, GB4706.60
电加热(kw)	1.8
总电量 (kW)	1.9
电力规格	220-240/50/60Hz/1phase
保险	10 A 250V
加热组件	ZOPPAS 1G1K1FG46
电机	35 W
排风口	DIA = 100mm
排气口 m³/h	198
烘干力 g/min	21.5
噪音 (DB)	Max. 60
产品尺寸 (mm) H*D*W	1997x680x635
包装尺寸 (mm) H*D*W	2125x730x730
净重 (kg)	80



* Overall depth includes vacuum breaker to door handle.

** High, Very High, and Ultra High Spin Speeds are available on the Galaxy 400 models only.

*** Circuit breaker and amp draw data shown are for models without electric heat. Consult factory for other configurations. Manufacturer strongly recommends using a circuit breaker instead of fuses. Use 3-pole circuit breakers for 3-phase machines.

**** Agency approvals may vary depending on configuration. Consult factory for details. Steam connection requires 1/2" N.P.P.

For the most accurate information, the installation guide should be used for all design and construction purposes. Due to continuous product improvements, design and specifications subject to change without notice. The quality management system of Alliance Laundry Systems is registered to ISO 9001.