

Huebsch Home Retail Front Washer ZFBE9BSP305NW29



Huebsch revolutionary front load washers offer advanced features like dynamic balancing technology to virtually eliminate noise and vibration, reduce cycle times and deliver exceptional wash results.

Washability

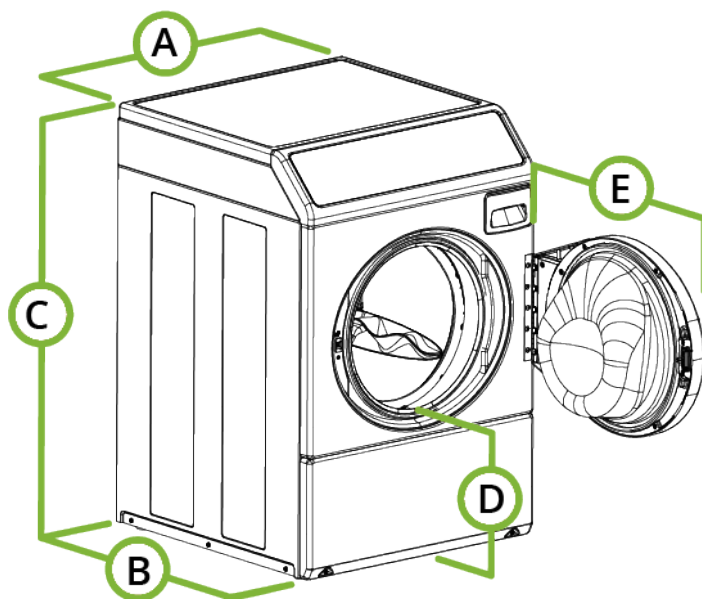
Times change. Dirt doesn't. As the experts in clean, we've been designing and building laundry equipment to clean clothes better and faster. Huebsch front load washers feature patented baffles and ideal tumble rhythms to perfectly lift your laundry and cascade water throughout the entire load, delivering the best possible clean.



- Durable Stainless Steel Tub is gentler on your clothes and ensures long-lasting, dependable performance.
- Balance Technology virtually eliminates vibration and noise.
- 22 pound capacity.
- Time Remaining Display eliminates guesswork by clearly showing when your laundry will be finished.
- Sanitize with Oxi and Allergy cycles add extra levels of clean to your laundry.
- Control Lock allows you to lock the control system, preventing children from starting the machine.

Huebsch Home Retail Front Washer Softmount - Home Retail Front Washer Softmount Specifications

Model	ZFBE9BSP305NW29
General details	
Control	HEC
Control location	Front 45 degree
Actuation	None
Drum	
Capacity kg	10,5 Kg
Volume l	96,8
Drum speed	
G-factor	440
Extraction RPM	1200
Power	
Motor power kW	0,67
Cabinet	
Cylinder Finish	Stainless
Color	White
Door type	Window
Connections	
Electrical requirements	220-240/50/1
Water inlet	3/4"
Water Pressure kPa	1,4-8,3
Transport data	
Net weight kg	118
Shipping weight kg	122
Dimensions HxWxD mm	1027 x 683 x 704
Packed dimensions HxWxD mm	1156 x 762 x 864
Packed volume m3	0,76



Model	ZFBE9BSP305NW29
A	683
B	704
C	1027
D	371
E	610

For the most accurate information, the installation guide should be used for all design and construction purposes. Due to continuous product improvements, design and specifications subject to change without notice. The quality management system of Alliance Laundry Systems is registered to ISO 9001.

Huebsch by Alliance Laundry Systems