

Huebsch Home Retail Stack Washer and Dryer ZTHE9ASP455NW29

Durable Stainless Steel Tub is gentler on your clothes and ensures long-lasting, dependable performance. Balance Technology virtually eliminates vibration and noise. Time Remaining Display eliminates guesswork by clearly showing when your laundry will be finished. Control Lock allows you to lock the control system, preventing children from starting the machine. Moisture Sensors & Moisture Level Selection allow you to preset the dryness level of each load and automatically stops the cycle once that level is reached. Up-Front Lint Filter allows fast and easy cleaning.



Leading performance in half the space

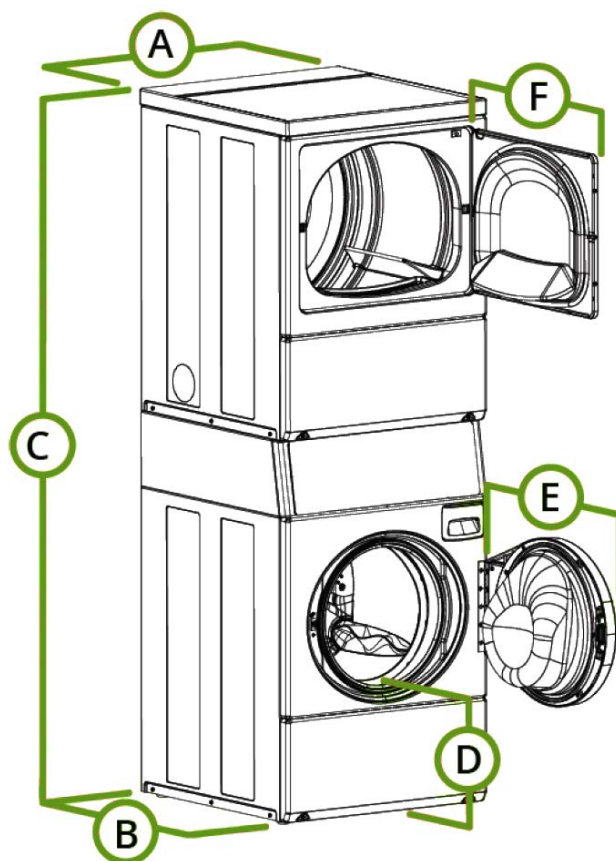
When square footage is at a premium, Huebsch stacked washer/dryers offer the perfect solution. This convenient design allows double the capacity in the space of one machine while sacrificing nothing in performance and wash/dry quality. Designed for ultimate user convenience, these two-in-one space savers also conveniently locate controls for both washer and dryer in the middle of the machine for easy access and operation.

- Durable Stainless Steel Tub is gentler on your clothes and ensures long-lasting, dependable performance.
- Balance Technology virtually eliminates vibration and noise.
- Time Remaining Display eliminates guesswork by clearly showing when your laundry will be finished.
- Control Lock allows you to lock the control system, preventing children from starting the machine
- Moisture Sensors & Moisture Level Selection allow you to preset the dryness level of each load and automatically stops the cycle once that level is reached.
- Up-Front Lint Filter allows fast and easy cleaning.



Huebsch Home Retail Stack Washer and Dryer - Home Retail Stack Washer and Dryer Specifications

Model	ZTHE9ASP455NW29
General details	
Control	HEC
Control location	Front 10 degree
Actuation	None
Drum	
Capacity [Kg]	W-10,5 / D-10,5
Drum speed	
G-factor	440
Extraction RPM	1200
Power	
Motor power kW	W-0,67/D-0,25
Voltage	220-240/50/1
Cabinet	
Cylinder Finish	Stainless / Stainless
Color	White
Door type	W-Window/D-Window
Connections	
Electrical requirements	220-240/50/1
Gas inlet connection mm	N/A
Water inlet	3/4"
Water Pressure kPa	1,4-8,3
Transport data	
Net weight kg	175
Shipping weight kg	189
Dimensions HxWxD mm	1986 x 683 x 711
Packed dimensions HxWxD mm	2032 x 762 x 864
Packed volume m3	1,34



Model	ZTHE9ASP455NW29
A	683
B	711
C	1986
D	371
E	610
F	597

For the most accurate information, the installation guide should be used for all design and construction purposes. Due to continuous product improvements, design and specifications subject to change without notice. The quality management system of Alliance Laundry Systems is registered to ISO 9001.

Huebsch by Alliance Laundry Systems